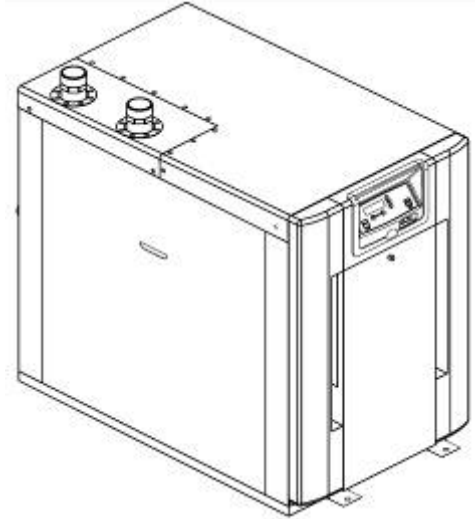


Job: _____
 Engineer: _____
 Contractor: _____
 Prepared By: _____ Date: _____
 Model: _____ Indoor/Outdoor: _____

XFyre™ - Type W

Condensing Hot Water Supply Boilers Models 300-850

- 94% Thermal Efficiency at Full Rate, Up to 99% at Part Load**
- Indoor/Outdoor Construction Standard**
- PVC, CPVC, or Stainless Venting Certified**
- Soft Start, Electronic Modulation, 5:1 Turndown**
- LCD Status Display and Full Diagnostics and Fault Memory**
- Footprint: Less Than 9-1/2 ft²**
- Zero Clearance to Combustibles**
- Meets NOx Requirements Thru 2012 (< 20 ppm)**
- Maximum Outlet Water Temperature: 175°F**
- Maximum System Temperature: 175°F**
- Limited 25 Year Thermal Shock Warranty**
- Limited Five-Year Heat Exchanger Warranty**



Heat Exchanger

- All Stainless Steel Construction with Copper Connections
- Gasketless Heat Exchanger Design
- ASME H Stamped
- 160 PSIG Working Pressure
- National Board Approved
- ASME Pressure Relief Valve
 - 125 PSIG – Standard
 - ___ PSIG – Optional
- Temperature and Pressure Gauge, Shipped Loose

Control

- 120V, 60Hz, 1Ø, Power Supply
- Digital Operating Control with LCD display.
- 0-10 VDC input for BMS
- Cascade up to 8 boilers
- Spark Ignition (DSI)
- Remote Flame Sensor
- High Limit, Manual Reset, Fixed, 175°F
- Auto Limit, Fixed, 210°F
- Alarm Dry Contact Connection
- On/Off Power Switch
- Flow Switch
- Blocked Vent Pressure Switch
- Boiler, DHW & System Pump Contacts
- Water Temperature Sensors (3)

Burner

- Ultra-Low NOx: Less than 20 PPM

Gas Train

- Fuel
 - Natural Gas
 - Propane
- Zero Governor Regulator
- Dual-Seat Combination Valve
- Electronic Modulating Firing Mode (W7)

Construction

- Indoor/Outdoor Construction
- Front Controls Enclosed
- PolyTuf Powder Coat Finish
- Rear Connections (Electrical, Gas, Vent, Combustion Air)
- Top Connections (Water)
- Design Certified ANSI Z21.13/ CSA 4.9
- Combustion Air Filter
- Condensate Trap

Venting (PVC-CPVC-Stainless)

- Vent Termination
 - Indoor, Vertical – Option D-11
 - Indoor, Horizontal – Option D-15
 - Outdoor
- Extractor - Optional
 - By others
 - Not required

Multi-Boiler System Controllers

- B-36 TempTracker Mod+ Hybrid Digital Controller, 2-4 Boilers
- B-37 TempTracker Mod+ Hybrid Digital Controller, 5-10 Boilers
- B-38 TempTracker Mod+ Hybrid Digital Controller, 11-16 Boilers

Options

- D-21 TruSeal™ Combustion Air Inlet (Mounted)
- D-22 TruSeal™ Combustion Air Inlet (Loose)
- P-___ Pump: ___ HP, 120V, 1Ø, 60Hz
 - Bronze/SS
- S-1/S-2 High/Low Gas Pressure Switches, Manual Reset
- Z-12 Condensate Neutralizer Kit

Regulatory Agency Requirements



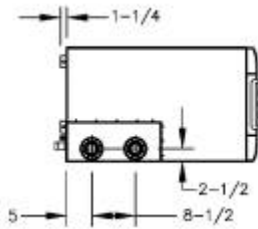
Raypak®
 A Rheem® Company

XFyre – Type W Models 300-850

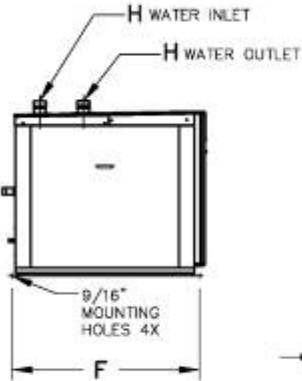
Model _____

CLEARANCES

	Certified Minimum	Service Minimum
Front	24"	24"
Rear	24"	24"
Right	0"	0"
Left	0"	0"
Top	12"	24"
Floor	0"	--
Vent	1"	--



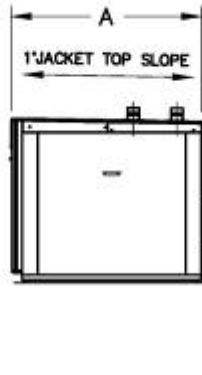
TOP VIEW



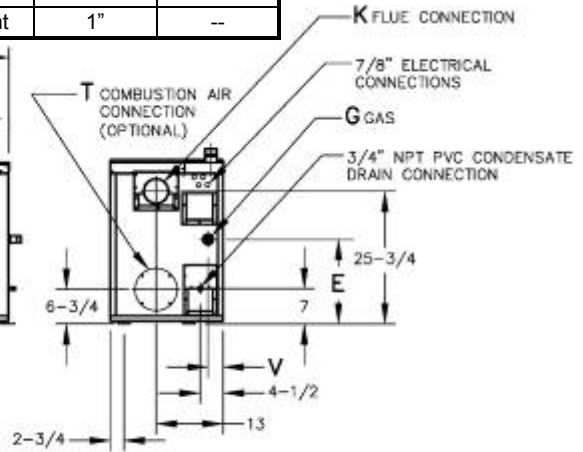
LEFT VIEW



FRONT



RIGHT VIEW



REAR

Model (W7-)	MBTUH		Dimensions (in.)								Ship Weight (Lbs.)	Foot-Print (Ft ²)	Amps*
	Input	Output	A Length	E	F Mounting	G NPT	H NPT	K Flue Ø	N C/A Ø	V			
300	300	282	28-1/4	16-1/2	27-9/16	3/4	1-1/2	4	4	3	410	6.6	3
500	500	470	37-1/4	16-1/2	36-1/4	1	2	4	4	3	505	7.9	4
850	850	799	54-1/4	28	53-9/16	1-1/4	2	6	6	19-3/8	580	9.5	5

Ratings shown are for elevations up to 2,000 feet. For installations at elevations above 2,000 feet, please consult the factory for additional instructions.

* Current draw is for heater only. (Supply breaker must have delayed trip.)

Model (W7-)	Soft (0-4 grains per gallon)					Medium (5-15 grains per gallon)					Hard (16-25 grains per gallon)
	ΔT	GPM	ΔP	MTS	SHL	ΔT	GPM	ΔP	MTS	SHL	
300	30	19	8	1.5	9	23	25	14	1.5	15	Do not use when hardness exceeds 15 grains per gallon
500	30	31	7	2	9	20	47	16	2	20	
850	31	51	16	2	20	24	67	28	2	36	

MTS = Minimum Tube Size, inch

SHL = System head loss, ft (based on heater and tank placed no more than 5ft apart).

ΔT = Temperature rise, °F

ΔP = Pressure drop through heat exchanger, ft

Model (W7-)	Recovery Rates (gallons per hour)									
	Temperature Rise (°F)									
	20	30	40	50	60	70	80	90	100	
300	1693	1128	846	677	564	484	423	376	339	
500	2821	1881	1411	1128	940	806	705	627	564	
850	4796	3197	2398	1918	1599	1370	1199	1066	959	